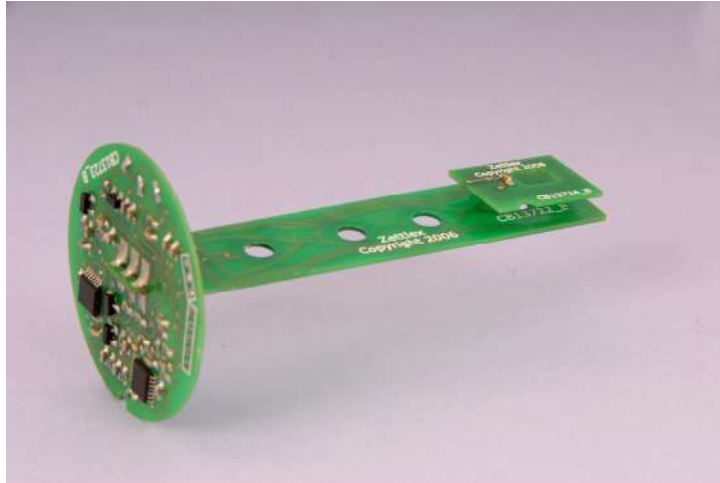


## Product Guide

### Linear Transducer

### Type 13723-OEM



***No contacts, no bearings, no bushes, no fine wires....just reliable measurements all day, every day.***

Zettlex transducers are **non-contacting, absolute** position measuring devices. They utilise a unique inductive technique and comprise two main components – a Target and an Antenna. The Antenna is powered with an electrical supply and the Target is passive. An electrical output from the Antenna shows the position of the Target relative to the Antenna.

The 13723 unit is an unpackaged (OEM) transducer for **measurement of linear displacement**. This unit has been specifically designed for **extreme lightweight** (5 gramms only) and generous mechanical motion in axes other than the measurement axis. It can simply be clipped or bonded to a host product and is ideally suited as a lower cost replacement for LVDTs or magnetostrictive devices. There are no electrical contacts so lifetime and operational reliability is far greater than potentiometers – especially in harsh environments

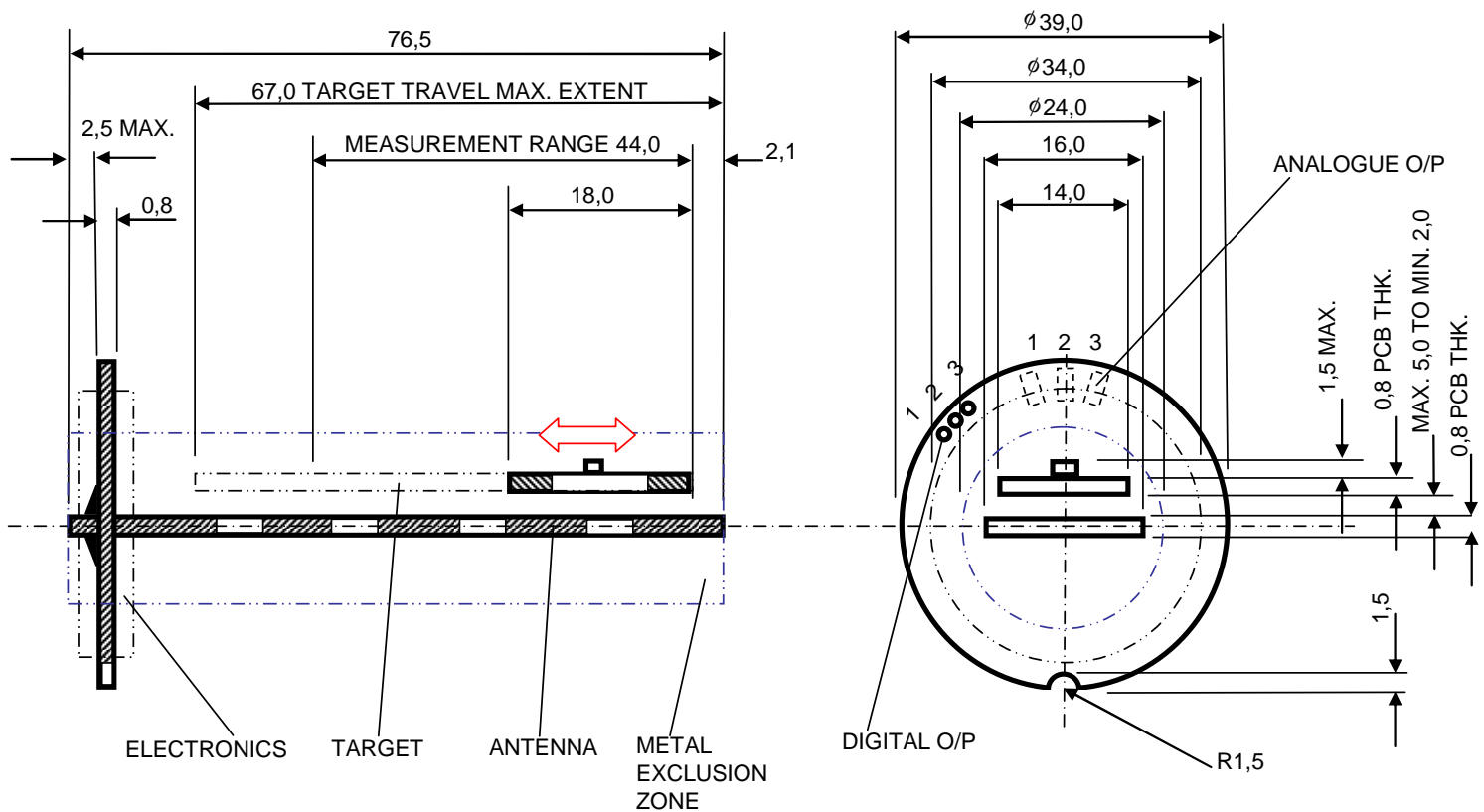
**Custom versions are available for OEMs** with alternative temperature ranges, mechanical mounts, finer linearity etc. - simply contact Zettlex for further details.

#### Outline Specification

Output signal	Digital or Analogue Analogue = 0,5 – 4,5VDC (10% - 90% of Supply Voltage) Digital = 10 bit asynchronous serial data
Full-scale	44mm
Measurement type	Absolute
Resolution	53.5µm
Repeatability	≤+/-53.5µm
Linearity	≤+/- 1% Full-scale (0,5%, 0,25% & 0,1% available as options)

Operating temp.	-40 to 85Celsius
Power supply	5VDC +/- 5%
Measurement frequency	100Hz
EMC	EN50082-2 & EN55011 Group 1, Class A
Temperature coefficient	≤40ppm/K
Connector	3 pin header for digital output as well as 3 solder pads for analogue output
Weight	<6gramms

### Dimensions & Installation



TARGET SHOWN AT 0% OF TRAVEL  
SECTION ON CENTRE LINE

TOLERANCES : 1 D.P. = +/- 0,2mm    2 D.P. = +/- 0,1mm

### Wiring

	<u>Analogue</u>	<u>Digital</u>
Connector Pin 1	GND	$V_{supply}$
Connector Pin 2	$V_{output}$	Data
Connector Pin 3	$V_{supply}$	GND

## Ordering code

13723 - OEM

Zettlex UK Ltd.  
Newton Court, Newton  
Cambridge  
CB22 7PE  
United Kingdom  
Web [www.zettlex.com](http://www.zettlex.com)  
Email [info@zettlex.com](mailto:info@zettlex.com)  
Telephone +44 (0) 1223 874444